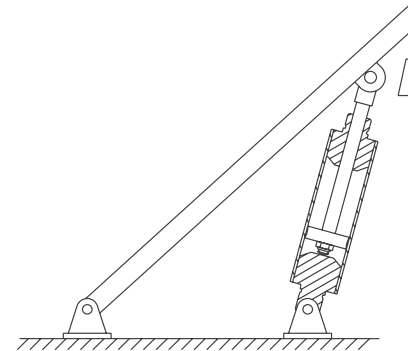
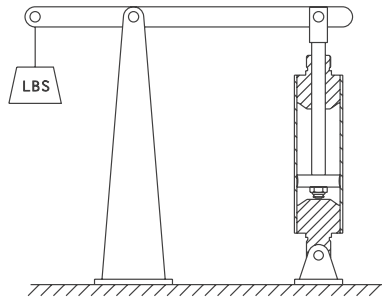
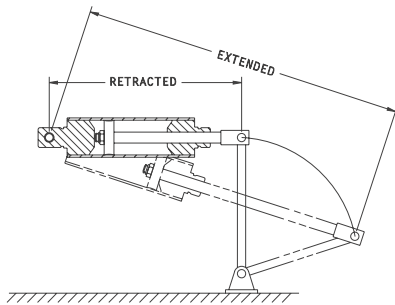


Applications for pneumatic cylinders are limitless. Application assistance is available from your local Flairline distributor or from the many publications that are readily available throughout the fluid power industry. Pictured below are some typical pneumatic cylinder applications.



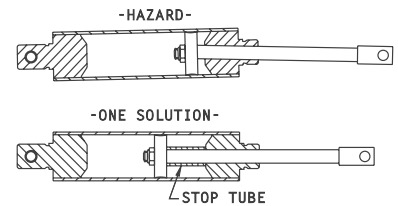
### WARNING

Flairline's Series F 'uni-piston' should not be used in heavy side-load applications. When using an all rubber piston, it is possible for side-loading to cause a "jamming" condition. This will result in delayed actuation of the cylinder.

When side-loading is necessary, contact your local Flairline distributor or the factory for alternative piston configurations.

Flairline will not assume responsibility for the application of its products.

NOTE: All specifications and dimensions are subject to change without notice.



Sideloads commonly occur when misalignment, deflection or extremely long strokes are present.